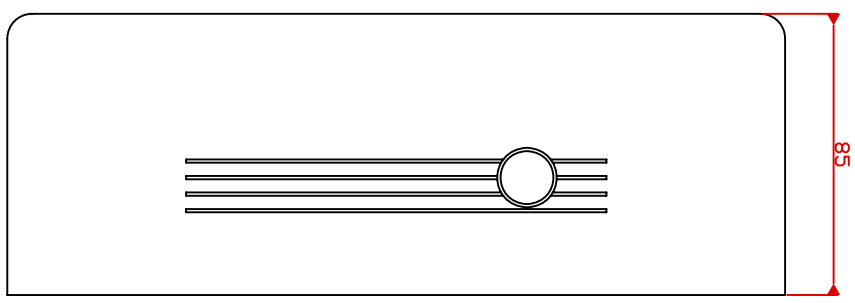
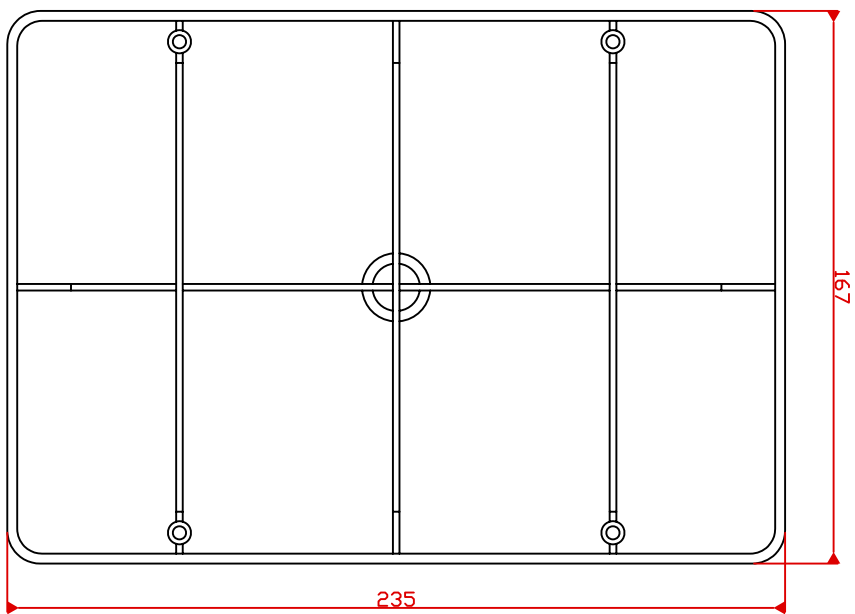


CMRBB1

CMR back - box



APARTE